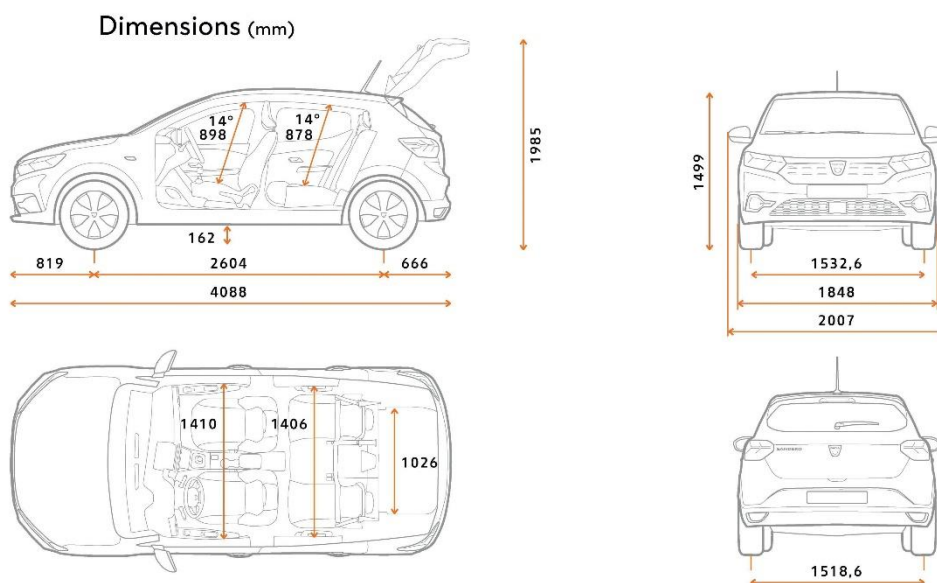


# All-New DACIA Sandero

## Dimensions et Technical sheet

# DACIA



### TRUNK VOLUME (l)

Trunk volume	410
Maximum trunk volume with rear bench folded down	1455

### DIMENSIONS (mm)

Overhall length	4088
Wheelbase	2604
Front overhang	819
Rear overhang	666
Overall width with folded mirrors / unfolded mirrors	1848 / 2007
Front track ground	1533
Rear track ground	1519
Overall height	1499
Open tailgate height	1985
Trunk sill height	741
Ground clearance	162
Knee radius in 2nd row	186
Front elbow room	1410
Rear elbow room	1406
Front shoulder width	1395
Rear shoulder width	1368
Front headroom	898
Rear headroom	878
Trunk entry maximum width	1021
Interior width between wheel arches	1026
Maximum load length with rear bench folded	1517

Version	GASOLINE			GASOLINE + LPG	
	SCe 65	TcE 90	TcE 90 CVT	ECO-G 100	
<b>ENGINE</b>					
Fuel type	Unleaded or E10 petrol			Unleaded or E10 petrol + LPG	
Emissions standards	Euro6 D-Full				
Approval protocol	WLTP				
Afer-treatment pollution clean-up system	3-way catalyst + GPF	3-way catalyst + underframe catalyst			
Engine type	3 cylinders, 12 valves				
Engine capacity (cc)	999				
Bore x stroke (mm)	71x84,1	72,2x81,34			
Injection type	Indirect	Indirect + turbo			
Maximum power (kW) (PS) at rpm	49 (65) at 6300	67 (90) at 5000		LPG: 74 (100) at 5000	Petrol : 67 (90) at 3750
Maximum torque (Nm) at rpm	95 at 3600	160 at 3750	142 at 3750	LPG: 170 at 2000	Petrol : 160 at 3750
Distribution	Chain				
<b>GEAR BOX</b>					
Type	Manual - 5 speeds	Manual - 6 speeds	Auto - CVT	Manual - 6 speeds	
<b>TYRES</b>					
Standard tire size	185/65 R15 (15-inch) - 195/55 R16 (16-inch)				
Spare wheel	Yes in 15-inch			No, inflation kit	
<b>BRAKES</b>					
Diameter / thickness of vented front discs (mm)	258 / 22				
Rear brakes	8" drum brakes				
<b>PERFORMANCE</b>					
Top speed (km/h)	158	178	169	LPG : 183	Petrol : 179
0 - 100 km/h (s)	16,7	11,7	13,4	11,6	
1 000 m standing start (s)	37,7	33,2	32,6	33,3	
Acceleration from 80 to 120 km/h in 4 <sup>th</sup> /5 <sup>th</sup> /6 <sup>th</sup>	14,9 / 25,6 / -	9,5 / 12,7/18,8	11,6	LPG: 9,1/12,1/17,1	Petrol : 9,4/12,5/18,3
<b>FUEL ECONOMY AND EMISSIONS</b>					
CO <sub>2</sub> WLTP (g/km)	117	116	128	LPG : 106	Petrol : 119
Combined cycle WLTP (l/100km)	5,2	5,1	5,7	6,9	5,3
Tank capacity (L)	50			50 / LPG: Total capacity/Filling capacity: 50 / 40	
<b>STEERING</b>					
Type	Electric power steering				
Turning circle, curb to curb (m)	10,53				
Steering wheel turns, lock to lock	3,25				
Front axle	Pseudo McPherson				
Rear axle	Semi-rigid axle				
<b>WEIGHT</b>					
Kerb weight (kg)	1014-1036	1052-1072	1087-1099	1107-1130	
Gross weight (kg)	1477-1514	1538-1562	1562-1586	1578-1602	
Gross train weight (kg)	2457-2494	2638-2662	2662-2686	2678-2702	
Max. braked trailer weight (kg)	980	1100			
Max. unbraked trailer weight (kg)	540-555	560-570	580-585	590-600	